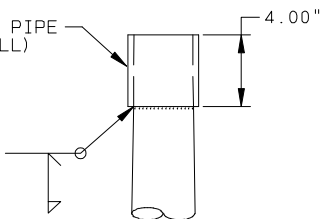
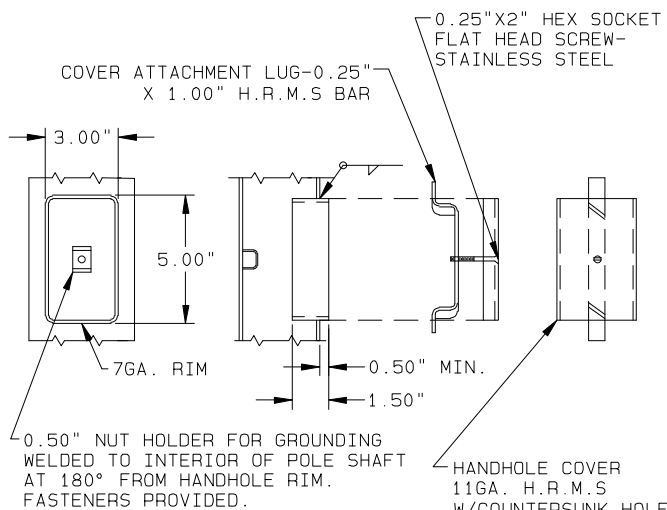


HAWAII POLE SERIES

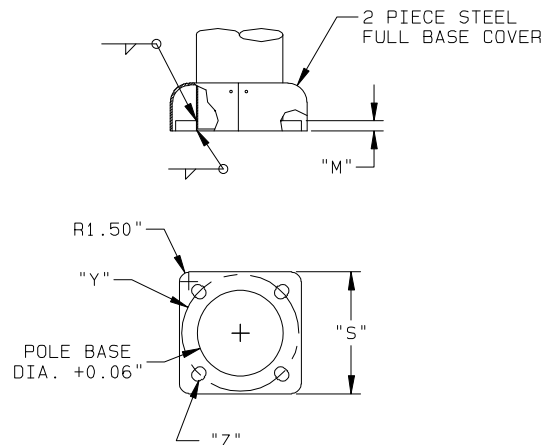
4.00" STD. PIPE
(0.237" WALL)



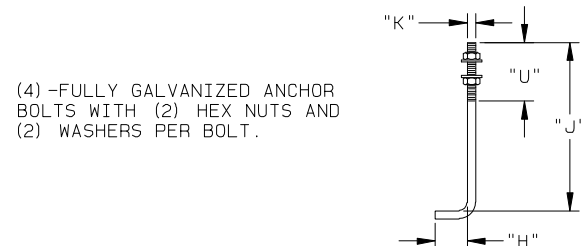
DETAIL 1 POLE TOP TENON



DETAIL 2 HANDHOLE



DETAIL 3 POLE BASE



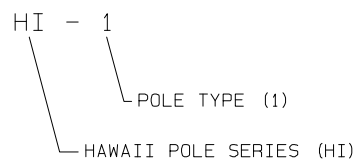
DETAIL 4 ANCHOR BOLT

ALTHOUGH RARE, VIBRATIONS SEVERE ENOUGH TO CAUSE DAMAGE CAN OCCASIONALLY OCCUR IN STRUCTURES OF ALL TYPES. BECAUSE THEY ARE INFLUENCED BY MANY INTERACTING VARIABLES, VIBRATIONS ARE GENERALLY UNPREDICTABLE. THE USER'S MAINTENANCE PROGRAM SHOULD INCLUDE OBSERVATION FOR EXCESSIVE VIBRATION AND EXAMINATION FOR ANY STRUCTURAL DAMAGE OR BOLT LOOSENING. THE VALMONT WARRANTY SPECIFICALLY EXCLUDES FATIGUE FAILURE OR SIMILAR PHENOMENA RESULTING FROM INDUCED VIBRATION, HARMONIC OSCILLATION OR RESONANCE ASSOCIATED WITH MOVEMENT OF AIR CURRENTS AROUND THE PRODUCT.

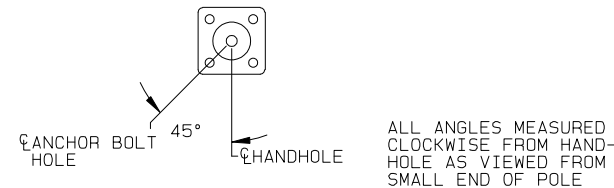
VIBRATION DISCLAIMER

MATERIAL DATA

COMPONENT	ASTM DESIGNATION	MIN. YIELD (KSI)
POLE SHAFT	A595 GR. A	55
BASE PLATE	A36	36
ANCHOR BOLTS	F1554 GR.105	105
GALVANIZING-SHAFT	A123	
GALVANIZING-ACCESSORIES	F2329	



DESIGNATION EXAMPLE



RADIAL INDEX

POLE DATA

POLE SERIES	POLE TYPE	POLE TUBE				POLE BASE				ANCHOR BOLT			
		BASE DIA. (IN)	TOP DIA. (IN)	LENGTH (FT)	GAUGE OR THICK (IN)	SQUARE "S" (IN)	BOLT CIRCLE "Y" (IN)	THK. "M" (IN)	HOLE "Z" (IN)	DIA. "K" (IN)	LENGTH "J" (IN)	HOOK "H" (IN)	THREAD LENGTH "U" (IN)
HI	1	5.20	4.13	7.66	11	9.00	8.50	0.750	1.00	0.75	18.00	4.00	6.00
HI	1	5.48	4.13	9.66	11	9.00	8.50	0.750	1.00	0.75	18.00	4.00	6.00

TITLE STATE OF HAWAII
TRAFFIC SIGNAL STRUCTURES

VALMONT INDUSTRIES, INC. RESERVES THE RIGHT TO INSTALL VARIOUS, ENGINEER APPROVED, MATERIAL HANGING ACCOMMODATIONS TO FACILITATE THE MANUFACTURING PROCESS.

valmont
Valley, NE 68064
(402) 359-2201

PAGE NUMBER: 3 OF 3
DRAWING NUMBER: DB00635
REV: E