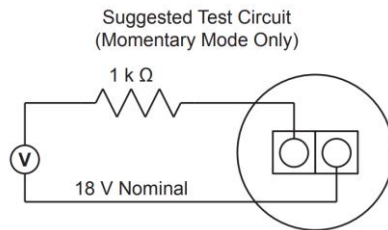
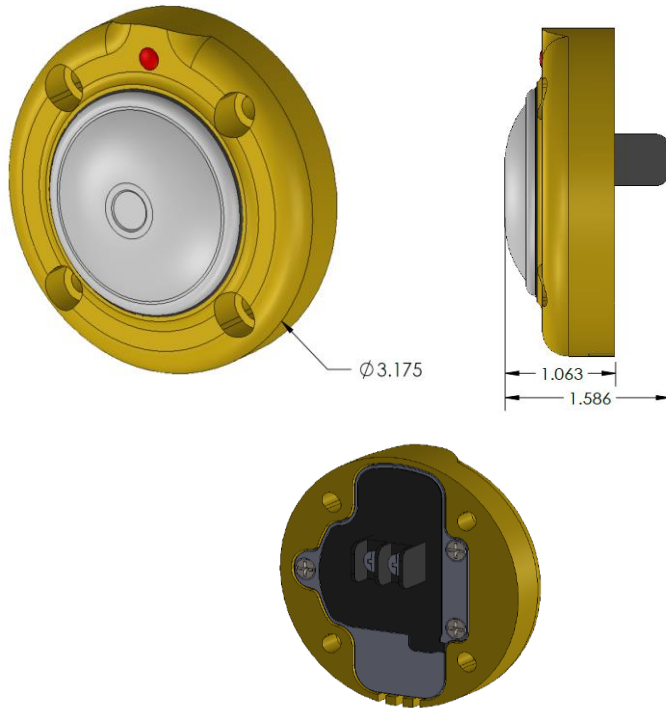




4 EVR MOAB Round Pedestrian Push Button



4 EVR MOAB Round Yellow Model Shown

The 4 EVR MOAB is the next generation of solid-state pushbuttons. A new flush mount form factor with higher volume, lower power consumption, improved transient protection, and self-latching capability. Virtually vandal proof, the MOAB utilizes a Piezo switch element that cannot be stuck in a constant call. An LED and audible tones are momentarily activated with the pedestrian call. The actuator is pressure sensitive and mechanically isolated from the piezo switch so it cannot be damaged.

Materials

Bezel: Solid 6061T6 Aluminum
Actuator: Passivated 303 Stainless Steel
Hardware: Stainless Steel
Finish: Powder Coat

Feedback:

Visual: LED Super Bright Red
Audible: Dee 3900 Hz – Dah 3600 Hz
Tactile: Optional Tactile Arrow

Form Factor:

Round: 3" OD / 4 hole, 2 hole (9-3, 10-2)
Rectangular: 2.8" x 4.5" – 4 hole, 2 hole
Color: Black, Yellow, Green, Natural

LED Specifications:

Luminous Intensity: 5000 mcd
Viewing Angle: 155°

Warranty: 5 year limited

Terminal screws include clamping plates intended for bare wire connections.

Piezo Electric, Solid State Switch:

Operating Force: <3 lbf
Operating Temp: -40F to 176F (-40C to 80C)
Operating Voltage: 12 – 36 VDC, 12-24 VAC (5VDC Option available)
Switch Operating Life: 300 million operations
Switch Resistance: <20 ohms
Off Current: <15 uA Typ.
On Resistance: <150 Ohms Typ.
Max On Time: 150 ms Typ.
Debounce Time: 600 ms Typ.

LED Operating Modes:

Momentary: On for 0.025 seconds to correspond with audible on beep and circuit closure.

Latching: LED activates only during non-walk phases and extinguishes at the beginning of the walk phase.



Design Compliance

TEST TYPE	COMPLIANCE
Activation Force	MUTCD 2009 -4E
Temperature & Humidity	NEMA TS2
Transient Voltage Protection	NEMA TS2
Transient Suppression	IEC 61000-4-5
Electronic Noise	FCC Title 47, Part 15 Class A
Mechanical Shock & Vibration	NEMA TS2
Ingress of Water	NEMA 250-6P, Rain, Snow, Submersion, etc.
Salt Spray and Corrosion	NEMA 250 -6P
Ingress of Foreign Objects	NEMA 250 -6P

All certifications performed by Certified Independent Testing Laboratories.

Note: Applicable sections only of reference standards.
All specifications are subject to change without notice.

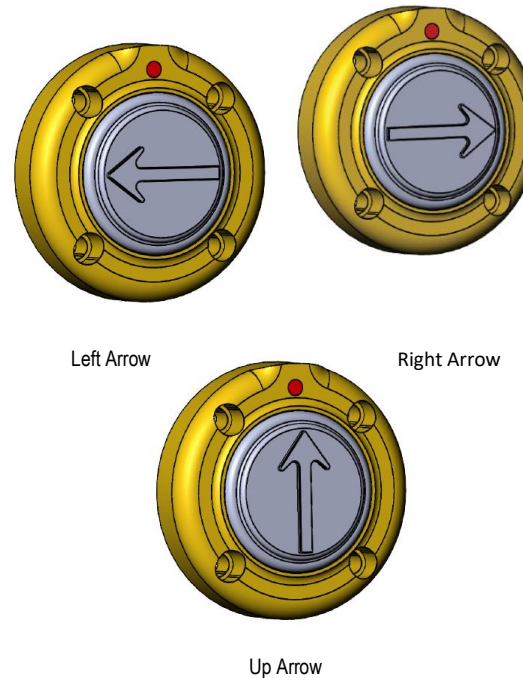
ROUND BEZEL

Item Description	4 Hole
4 EVR MOAB Rnd	502-2001
4 EVR MOAB 5VDC	502-2032
4 EVR RND Tactile Arrow (TA)	502-2005
4 EVR RND No LED	502-2012

2 Hole
502-2003 (9-3)
502-2009 (10-2)
502-2007
502-2013

RECTANGLE BEZEL

Item Description	4 Hole	2 Hole
4 EVR REC	502-2050	502-2052
4 EVR REC No LED	502-2055	502-2054
4 EVR REC Tactile Arrow	502-2060	



4 EVR MOAB Rectangle W/ LED - 4 Hole

